



Planet Convergence

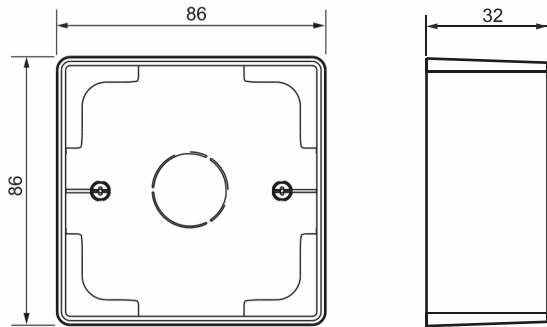
SURFACE MOUNT BOX

Surface Mount Box



Horizontal or vertical mounting. Boxes receive composable mechanisms. Clean the surface with a cloth. Do not use acetone, tar-removing cleaning agents or trichloroethylene

Overall Dimensions (mm)



Climatic characteristics

- Thermoplastic
- Colour : White
- Compatible For : Single, Dual and Quad Faceplate
- Volumetric Weight : 0.20 kg
- Dimension : 86 x 86 x 32mm
- Category : Network Products
- Sub category : Box
- Halogen free
- Self-extinguishing : 650° C / 30 s

Climatic characteristics

Storage temperature: - 10° C to + 70° C

ORDERING INFORMATION

Surface Mount Box		
Part Code	Description	Color Code
DLT-SMYW	Delton Surface Mount Box White	White

Planet Convergence LLC

16192 Coastal Highway, County of Sussex, Delaware 19958, Lewes, United States.

A trusted IT partner for forward-thinking businesses. We specialize in infrastructure transformation, cloud solutions, DevOps, custom software development, and more — helping companies scale smarter and operate more efficiently.